

APINOX WASH FOUNTAINS **(manufactured by Acorn Powell)**



Image of 8 person version, adult height

Special Features:

- SPACE AND ENERGY SAVING
- FACTORY ASSEMBLED FOR EASY, LOW COST INSTALLATION
- HYGIENIC AND VANDAL RESISTANT
- STAINLESS STEEL ONSTRUCTION

Description

The circular wash fountain is ideal for applications where several people will be washing their hands at the same time, such as factories, schools, colleges, sporting and entertainment venues. Compared to traditional basins, the wash fountain offers considerable savings in space, water and energy usage and the costs associated with installation and long term maintenance. Individual water saving control of each outlet is standard, whether activated by the hand push button valve, the foot operated valve or the non-touch infra red sensor. All valves and pipework are fully concealed. Installation time and cost is dramatically reduced as the wash fountain is delivered fully assembled, complete with an integral liquid soap dispensing system and thermostatic mixing valve. The circular wash fountain is supplied in two sizes to accommodate either 6 or 8 users.

Construction

The wash fountain is formed in one piece from heavy gauge grade 304 stainless steel. Stainless steel is also used to manufacture the sectional spray head, support tube and scuff base panels. The pedestal panels are manufactured from stainless steel and are held in position by security type screws. The wash fountain is supplied fully assembled complete with an integral liquid soap dispensing system, thermostatic mixing valve, combined checkstop and strainer valves and an unslotted grated waste fitting.

Operation

Each water outlet has a vandal resistant spray nozzle which provides a concentrated spray and is activated by its own valve. Hand push buttons activate timed flow non-hold open valves which have an adjustable flow duration of 5 to 60 seconds. Individual foot operated valves activate water flow as long as the push button is depressed. As an alternative to hand or foot operation, non-touch infra red sensors can be fitted to control the flow of water from each outlet. Designed to accept water supply pipework from below, the wash fountain can be modified for overhead supplies and, if required, a shroud is available to conceal the pipework. Please call Gentworks for a quote.

Models and Prices – from 1st December 2011

Description	Price	Gentworks Product Code
6 person - foot operated - adult height	£2,330	356-F-BS-AD
6 person - hand operated - adult height	£2,180	356-H-BS-AD
6 person - sensor operated - adult height	£3,750	356-SO-BS-AD
6 person - foot operated - junior height	£2,540	356-F-BS-JNR
6 person - hand operated - junior height	£2,390	356-H-BS-JNR
6 person - sensor operated - junior height	£3,950	356-SO-BS-JNR
8 person - foot operated - adult height	£3,100	358-F-BS-AD
8 person - hand operated - adult height	£3,130	358-H-BS-AD
8 person - sensor operated - adult height	£4,690	358-SO-BS-AD
8 person - foot operated - junior height	£3,340	358-F-BS-JNR
8 person - hand operated - junior height	£3,370	358-H-BS-JNR
8 person - sensor operated - junior height	£4,890	358-SO-BS-JNR

All prices above exclude a £10 delivery charge and VAT. Prices are subject to change without notice.

Sizes

The circular wash fountain is available in 4 sizes: 972 mm diameter. to accommodate 6 users simultaneously or 1372 mm to accommodate 8 users simultaneously. For each diameter, there are adult height (864mm) and junior height (764mm) versions.

Operation

Hand operated push buttons activate individual timed flow non-hold open valves which can be adjusted for flow duration ranging from 5 to 60 seconds. Individual foot operated valves activate water flow as long as the push button is depressed.

Dual operation (*non-standard model, please call for a quote*) which gives the advantage of both hand and foot control of individual water outlets.

Sensor operation provides non-touch control of individual water outlets. The water flow is activated as long as the user's hands are within the bowl area. The sensor operated wash fountain is supplied with a 240VAC/24VAC transformer for remote siting.

Fittings

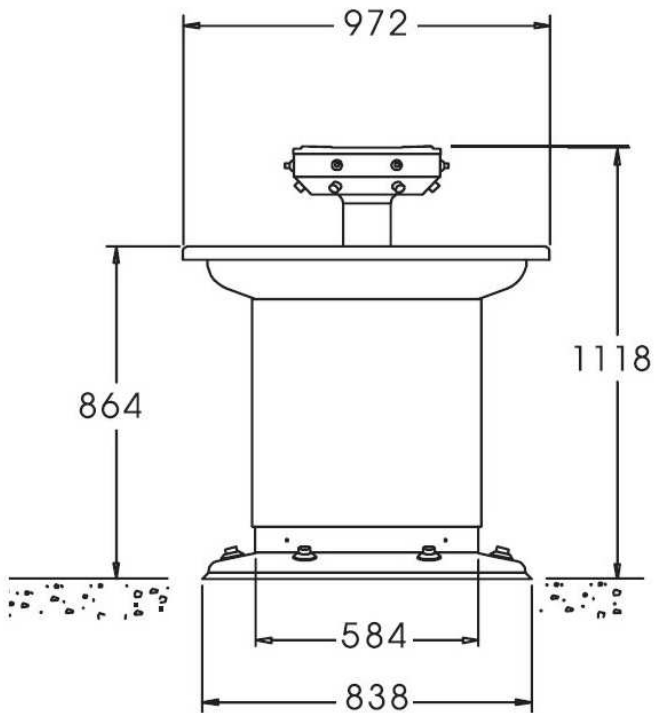
The wash fountain is supplied fully assembled with the following fittings:

- Liquid soap dispensing system built into the stainless steel spray head assembly.
- Unslotted grated waste fitting with 38 OD x 100 mm long (1½ OD x 4 in long) plain spigot tail piece.
- Thermostatic mixing valve.
- Combined checkstop and strainer valves with ½ in female IPS thread, for hot and cold water

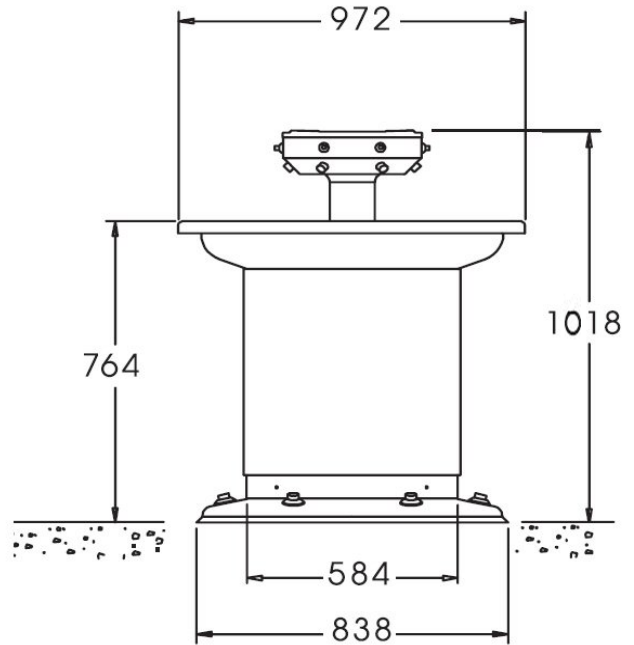
Water Supply and Pressure

Hot and cold water supply pipes should be a minimum 28 mm diameter reducing in size within the pedestal immediately before the combined checkstop and strainer valves. For satisfactory operation, a minimum 1.0 bar g. pressure is required for each supply where the water enters the wash fountain pedestal. For pressures in excess of 7.0 bar g. a flow control or pressure reducing valve must be fitted.

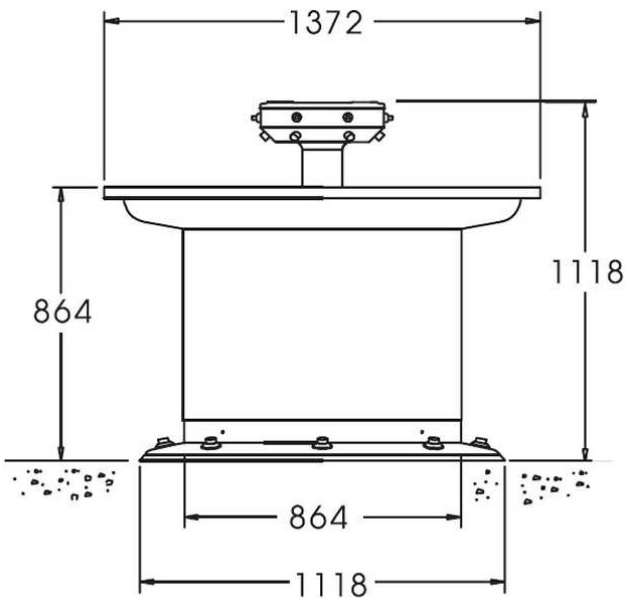
Model 356 – 6 person – adult height



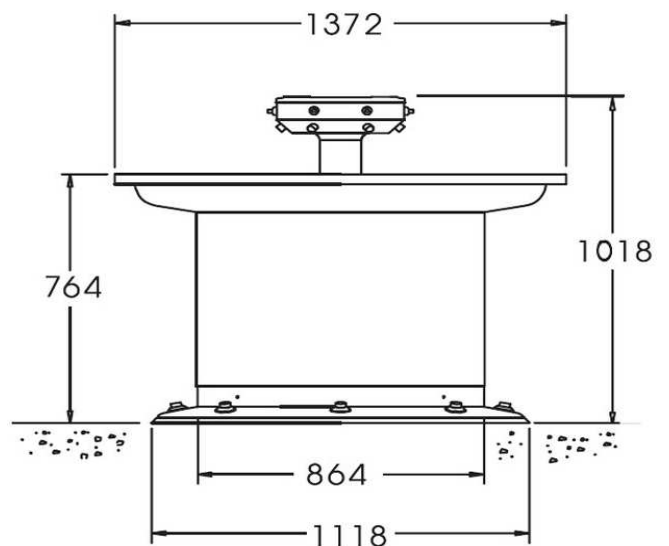
Model 356 – 6 person – junior height



Model 358 – 8 person – adult height



Model 358 – 8 person – junior height



Front Elevation