

## STAINLESS STEEL URINAL TROUGHS

If you require non-standard sizes or designs, or just would like some advice, please call 0845 202 4535 or email support@gentworks.co.uk . We offer 6 popular styles of stainless steel urinal troughs for sale online but can supply an even wider variety of models. Standard wall-hung units are **delivered within 2 to 10 working days**, depending on the model. Most floor standing models and special designs or lengths are delivered within 7 to 10 working days. More than 20% of the urinal troughs we supply are non-standard models, built to customer specifications. All urinals are **supplied complete** with plastic cistern, connecting pipes, waste outlet and fixing screws. A stainless steel cistern option is available at additional cost on most models.

**VR range wall-hung troughs are usually ready for same day or next day shipment.** "Rush" orders are despatched for **next morning delivery** providing that the order is received before noon (working days only). Other model ranges are finished to order in 1.2mm thick steel, allowing for a choice of drain location and top or rear-entry water supply. The typical delivery time for standard **BL and BV range urinal troughs is 5 working days for models up to 1800mm in length.**

<p><b><u>Vandal Resistant (VR)</u></b>  <b>Ready to despatch.</b> Made in one piece using Grade 304 (1.6mm thick) stainless steel. Integral sparge, top entry, centre drain. Satin finish.</p>		<p><b><u>Floor Standing (FSTU)</u></b>          Front panel for maintenance access. Built to order in Grade 304 stainless steel with options for drain location and top or rear entry.</p>	
<p><b><u>Exposed Sparge (BV)</u></b>          Finished to order in Grade 304 (1.2mm) stainless steel with options for drain location and top or rear entry. Satin finish.</p>		<p><b><u>Floor Recessed (FSRU)</u></b>          For trenced waste, built to order in Grade 304 stainless steel with options for drain location and top or rear entry.</p>	
<p><b><u>Concealed Sparge (BL)</u></b>          Finished to order in Grade 304 (1.2mm) stainless steel with options for drain location and top or rear entry. Satin finish.</p>		<p><b><u>Colour Glazed (CG)</u></b>          VR range wall-hung urinals with an electrostatic application of colour, cured at 200°C.</p>	

**PRICES FROM AUGUST 2011** (subject to change without notice, please check our website)

Prices below are for base models: top entry with plastic cistern and no additional options such as an electronic flush controller. There is a £10 delivery charge per consignment (within mainland UK, excluding Highlands) and all prices do not include VAT.

Standard Lengths	Vandal Resistant (VR)	Exposed Sparge (BV)	Concealed Sparge (BL)	Floor Standing (FSTU)	Floor Recessed (FSRU)	Colour Glazed (CG)
1200mm	£309	£365	£375	£550	£555	£595
1500mm	£355	£390	£395	£575	£580	£625
1800mm	£370	£415	£419	£599	£605	£650
2100mm	£450	£435	£439	£629	£635	£725
2400mm	£485	£475	£479	£659	£665	£760

## VANDAL RESISTANT WALL HUNG (VR) RANGE



These wall hung urinals are exceptional value as a result of our sales volumes. Constructed from **1.6mm thick stainless steel** (instead of the usual 1.2mm), the Vandal Resistant range is particularly robust and generally available for **same day shipment from stock**. Next working day delivery for a supplemental charge is possible for orders placed before 1 pm. Standard delivery time is 3 to 5 working days.

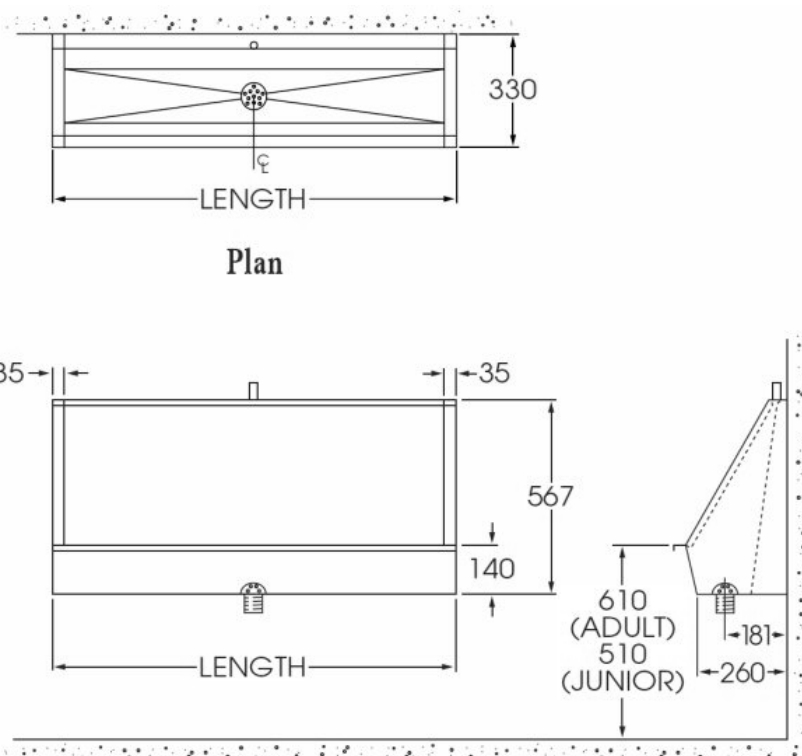
The urinal is manufactured in one piece, without joints or crevices, from grade 304 1.6mm thick stainless steel. All exposed surfaces are polished to a satin finish. The requisite fall to a central waste outlet (2 inch) is built into the channel and the back of the urinal is designed to

ensure an efficient spread of flushing water without drips or splashing. The sparge system is fully concealed and there are integral return ends for either wall or freestanding installation. Moreover, the urinal back panel is sound deadened to eliminate drumming.

The troughs project 330mm from the wall and are 567mm high (see diagram below). Each urinal is supplied with a dome grated waste fitting, automatic cistern and downpipe.

### **Pack Includes:**

- Urinal Trough
- 50mm (2 inch) **Waste Outlet fitting** in centre of trough
- Combination Ends suitable for exposed or side wall applications
- Plastic Automatic Flushing Cistern
- Stainless Steel Downpipe
- Downpipe Clips



## **EXPOSED SPARGE WALL HUNG (BV) RANGE**

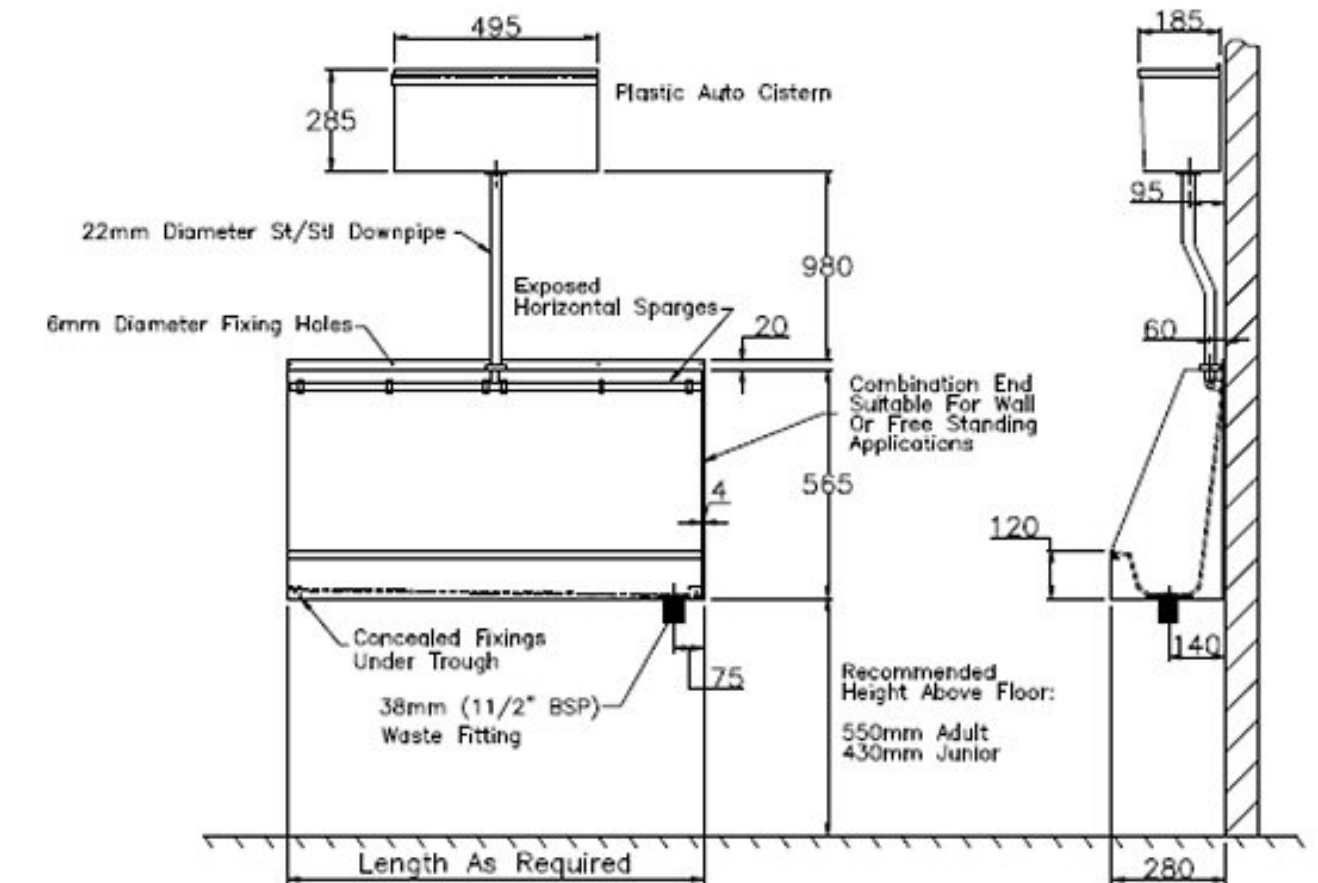


These wall hung urinals are manufactured in the UK as one piece units from 304 grade austenitic stainless steel 1.2mm thick, with a smooth satin polished non-reflective surface. The horizontal flushing sparges ensure an even, effective flush.

Each trough is finished to order, thus allowing for a choice of waste outlet location. Custom sizes and L-shapes are also available, from 600mm to 3000mm in length, by calling 0845 202 4535 for a quote.

### **Pack Includes:**

- Urinal Trough
- 38mm (1.5 inch) Waste Outlet fitting (choice of location)
- Plastic Cistern and Auto Siphon (upgradeable to stainless steel cistern)
- Fittings
- Fixing screws
- Sparge Pipes



## CONCEALED SPARGE WALL HUNG (BL) RANGE

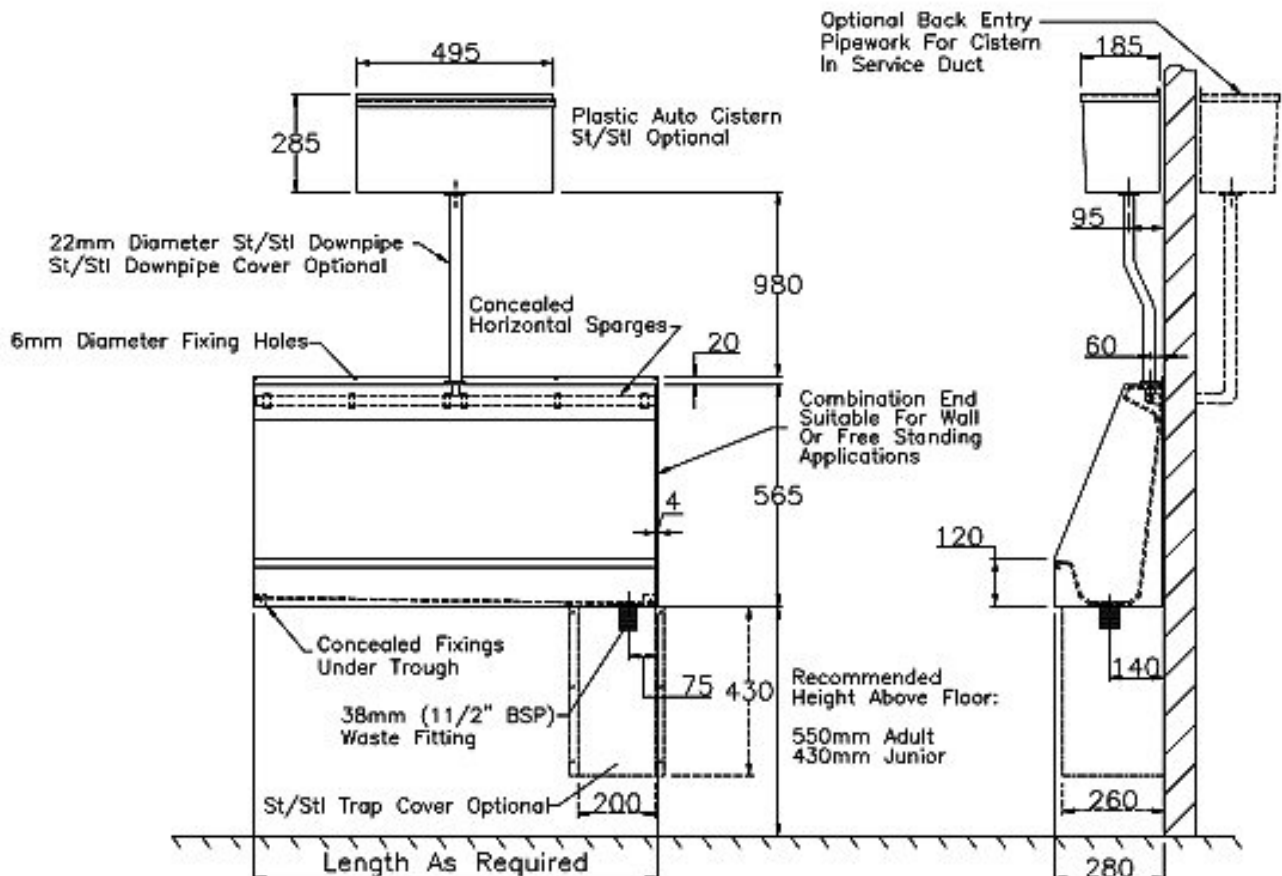


These wall hung urinals are manufactured in the UK as one piece units from 304 grade austenitic stainless steel 1.2mm thick, with a smooth satin polished non-reflective surface. The **concealed horizontal flushing sparges** ensure an even, effective flush. For additional cost, the urinal **can be configured for rear entry** of the downpipe, thus allowing the cistern and flushpipes to be hidden behind panels or a stud wall. *Please note that selecting the "rear entry" option adds 2 working days to the stated delivery time.*

Each trough is finished to order, thus allowing for a choice of waste outlet location. Custom sizes and L-shapes are also available, from 600mm to 3000mm in length, by calling 0845 202 4535 for a quote.

### **Pack Includes:**

- Urinal Trough
- 38mm (1.5 inch) Waste Outlet fitting (choice of location)
- Plastic Cistern and Auto Siphon (upgradeable to stainless steel cistern)
- Fittings
- Fixing screws
- Sparge Pipes



## **FLOOR STANDING (FSTU) RANGE**



This floor standing urinal is designed for situations where a trench cannot be cut in the floor. Manufactured as one piece units from 304 grade austenitic stainless steel 1.2mm thick, with a smooth satin polished non reflective surface.

There is a full length removable panel under the trough enabling easy access to the waste fitting and pipe work. The horizontal flushing sparges ensure an even, effective flush & are supplied "concealed" within a stainless steel box cover.

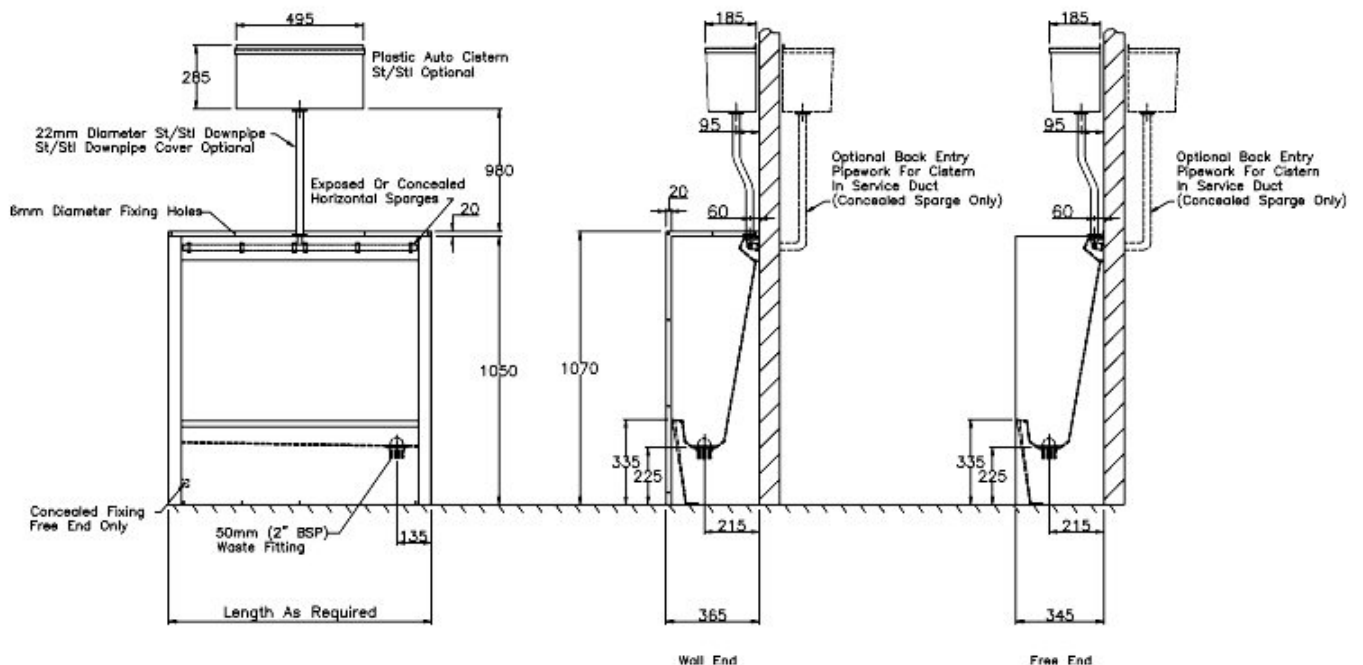
Supplied as standard with a plastic automatic flushing cistern, stainless steel downpipe set, downpipe clips & stainless steel fixing screws and a 50mm (2 inch) BSP waste fitting to left or right hand end .

For ducted services, optional "rear entry" connection can be specified for the flushpipe.

### **Urinal End Style:**

Urinal will be supplied with "Freestanding" ends (as illustrated), but Wall Fix ends may be specified to either or both ends if preferred.

The plastic cistern can be upgraded to stainless steel at additional cost.



## **FLOOR STANDING WITH RECESSED TROUGH (FSRU) RANGE**



This floor standing urinal is designed for situations where a floor trench urinal is preferred. Manufactured as one piece units from 304 grade austenitic stainless steel 1.2mm thick, with a smooth satin polished non reflective surface.

The horizontal flushing spargers ensure an even, effective flush & are supplied "concealed" within a stainless steel box cover.

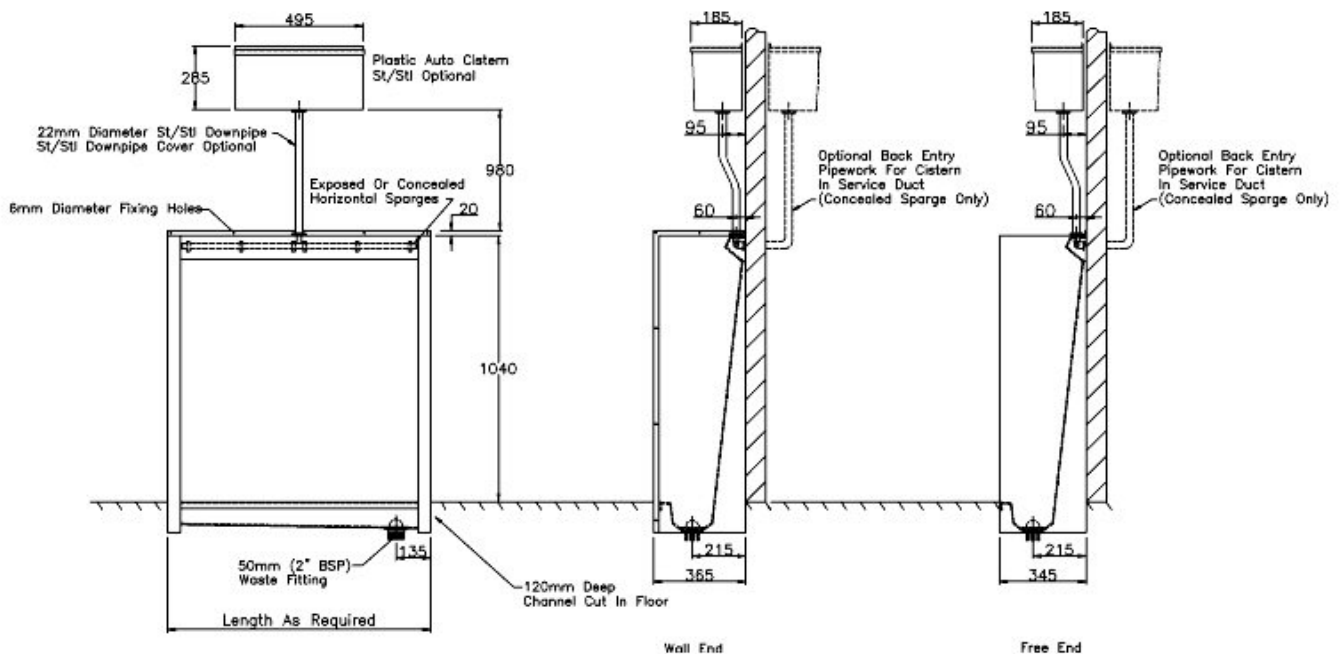
Supplied as standard with a plastic automatic flushing cistern, stainless steel downpipe set, downpipe clips & stainless steel fixing screws and a 50mm (2 inch) BSP waste fitting to left or right hand end .

For ducted services, optional "rear entry" connection can be specified for the flushpipe.

### **Urinal End Style:**

Urinal will be supplied with "Freestanding" ends, but Wall Fix ends (as illustrated) may be specified to either or both ends if preferred.

The plastic cistern can be upgraded to stainless steel at additional cost.



## COLOUR GLAZED WALL HUNG (CG) RANGE



Coloured wall hung urinals are manufactured as one piece units from 1.6mm thick stainless steel. The integrated stainless steel flushing channel ensures an even, effective flush and is less vulnerable to attack.

Colour Glaze is a unique colour-coating system which allows you the durability of stainless steel in an extensive choice of decorative colours. The coating is applied at manufacturing stage, and involves the electrostatic application of the colour which is oven-cured at 200 degrees centigrade. The smooth hard coating then becomes what amounts to an integral part of the product, will endure impact, will not bubble and is chip resistant. In theory, any colour is possible but standard models are black or white.

The troughs project 330mm from the wall and are 567mm high (see diagram below).

**IMPORTANT NOTE: These troughs are non-standard products and made to order.** Please order well in advance of installation date as we have experienced a few instances of coloured troughs being damaged in transit. It is particularly important to sign for the goods as "unseen", then check the unit for damage as soon as possible after arrival. In the unlikely event that a resupply or repair is needed, this could take a further 15 working days.

**Pack Includes:**

- Colour Glazed Urinal Trough
- 50mm (2 inch) **Waste Outlet fitting in centre of trough**
- Combination Ends suitable for exposed or side wall applications
- Plastic Automatic Flushing Cistern (upgradeable to stainless steel in matching colour glaze)
- Stainless Steel Downpipe
- Downpipe Clips

