

Product Data Sheet: DM215K / Steel Exposed fixings

NymaPRO Low level Doc M pack



Product Detail:

This Doc M pack is designed to provide a toilet facility with additional support for the user. The pack is compliant with the Approved Document M of the Building Regulations 2000, is WRAS and LABC approved.

The pack contents include:

- 5 x 600mm Grab rails
- 1 x 800mm Lift & lock hinged rail
- 1 x Back rest rail with PU pad
- 1 x Low level WC pan & cistern
- 1 x Ring only toilet seat with stainless steel hinge
- 1 x Two tap hole basin & fittings
- 1 x Sequential basin mixer tap
- 1 x Spatula cistern lever
- 1 x TMV3 in-line thermostatic valve (optional)
- 1 x WRAS approved cistern fittings
- 1 x Tap hole cover

Features include:

Complies with Doc M of the Building Regulations

LABC Approved

WRAS approved

All components available as individual products for continuity of specification

Toilet seat with adjustable buffers and stainless steel pillar hinge

Universal - left or right handed

Reference (specify): DM215K / Steel Exposed fixings

Available colours/finishes

DB

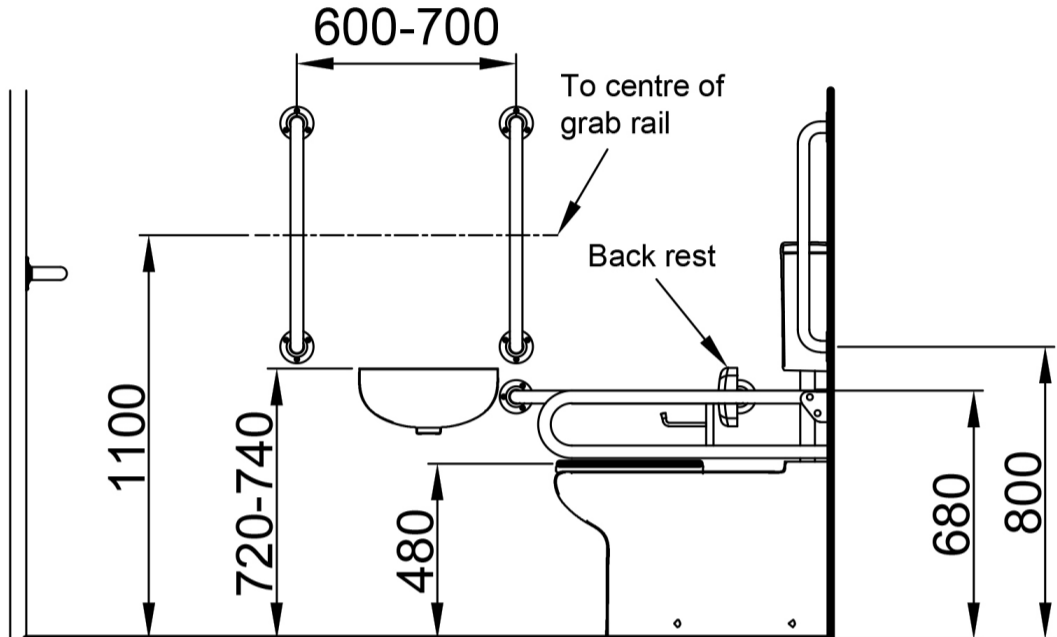
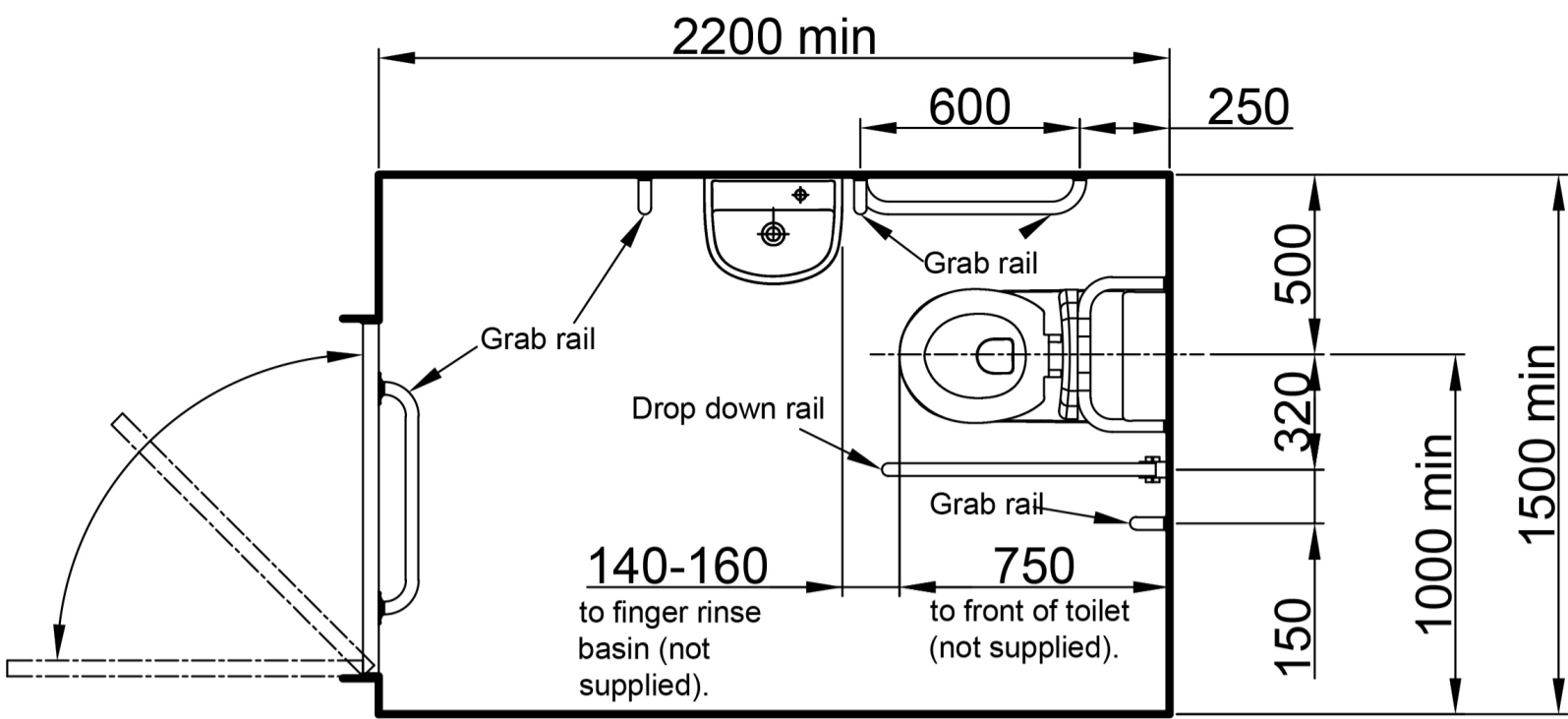
DG

GY

SP

SS

WH



Above is for guidance only, refer to relevant building regulations
(Only Nymas components shown. See data sheet for pack components).

Order Code	Size (A)
DM215K	Steel Exposed fixings
DM215KC	Steel Concealed fixings
DM215KCS	Stainless Steel Concealed Fixings

PLEASE NOTE: Every effort has been made to ensure as much accuracy as possible. However, due to print restrictions exact colour match is not always possible. Featured products may also be changed from time to time, but are correct at time of publication.

* Terms and Conditions apply - www.nymas.co.uk/warranties