

Lever Range

Sequential Mono Basin Mixer

Code: Tap-D-16

Finish: Chrome

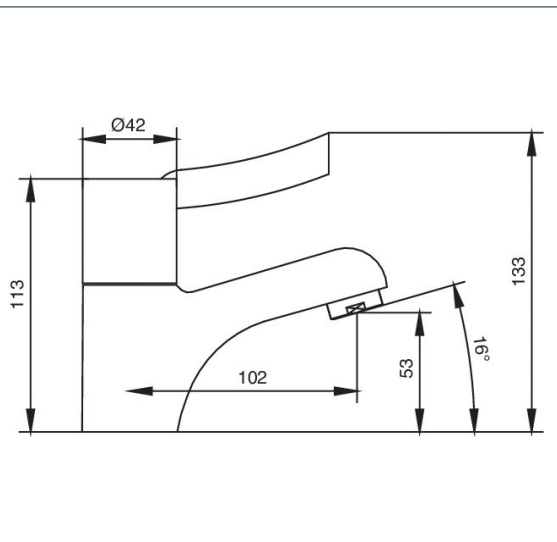
Features

Construction:	Brass
Valve/Cartridge type:	Sequential
Supply:	Suitable for all plumbing systems
Working Pressures:	0.2 - 5.0 bar
Inlet connections:	½" BSP
Flexi or Copper:	Flexi Tails

- Ceramic cartridge for smooth operation
- Sold as a single mixer tap
- Operates under unequal pressure



*Please refer to website for full warranty details.



Flow (Bar - l/min, open outlet)

Spout

f _{low} 0.1	f _{low} 0.3	f _{low} 0.5	f _{low} 1.0	f _{low} 2.0	f _{low} 3.0	f _{low} 4.0	f _{low} 5.0
0.8	1.7	2.2	2.8	2.8	2.8	3	3



Deva™ by METHVEN

2001319