

NymaPRO Close coupled Doc M pack, steel grab rails, exposed fixings



Product Detail:

This Doc M pack is designed to provide a toilet facility with additional support for the user. The pack is compliant with the Approved Document M of the Building Regulations 2000, is WRAS and LABC approved.

The pack contents include:

- 5 x 600mm Steel Grab Rails
- 1 x 800mm Lift & lock steel hinged Rail
- 1 x Close coupled WC pan & cistern assembly
- 1 x Ring only toilet seat with stainless hinge
- 1 x Two tap hole basin & fittings
- 1 x Basin mixer tap
- 1 x Spatula cistern lever
- 1 x Tap hole cover
- 1 x TMV3 valves available to complete the Doc M set up - Ask for details

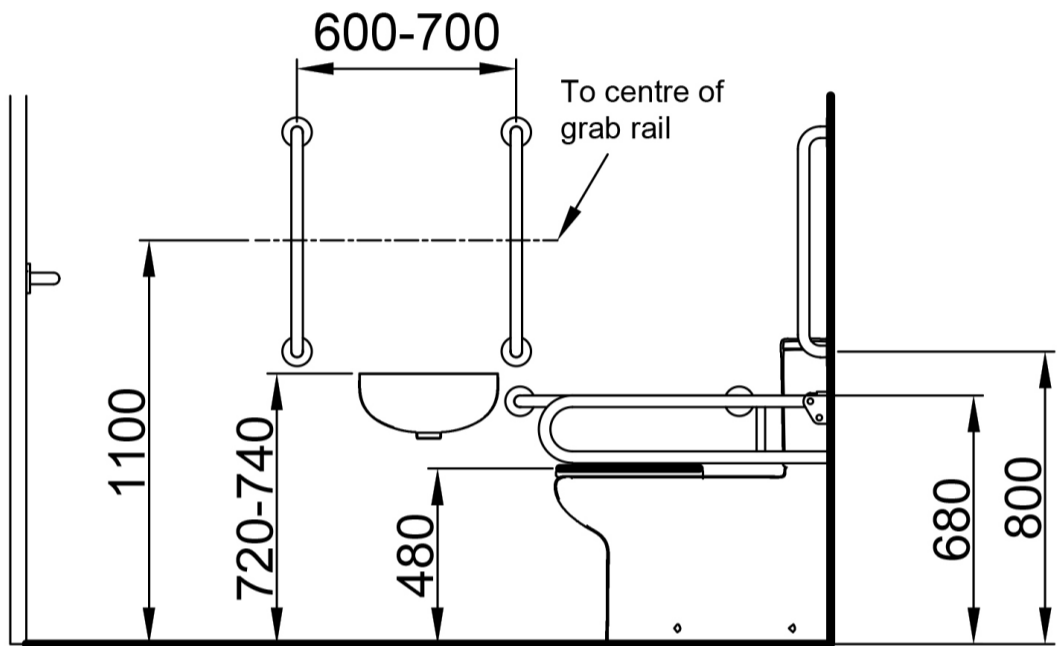
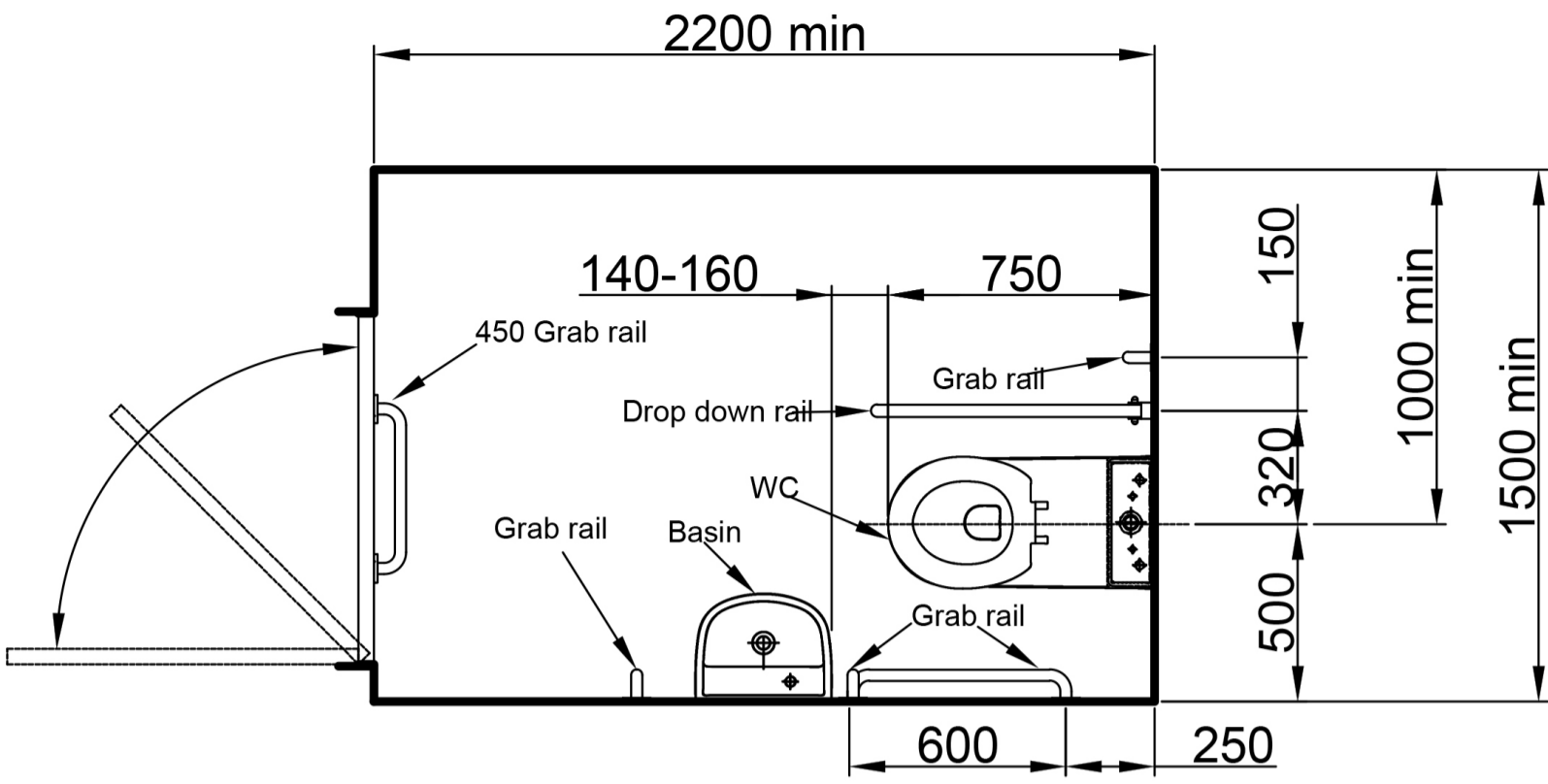
Features include:

- Complies with Part M of the Building Regulations
- LABC approved
- WRAS approved
- All components available as individual products
- Toilet seat with adjustable buffers and stainless steel pillar hinge
- Universal - left or right handed

Reference (specify): DM200K / Exposed fixings

Available colours/finishes





Above is for guidance only, refer to relevant building regulations
 (Only Nymas components shown. See data sheet for pack components).

Order Code	Size (A)
DM200K	Exposed fixings
DM200KC	Concealed fixings

PLEASE NOTE: Every effort has been made to ensure as much accuracy as possible. However, due to print restrictions exact colour match is not always possible. Featured products may also be changed from time to time, but are correct at time of publication.

* Terms and Conditions apply - www.nymas.co.uk/warranties