

# GW6 CHARA

LIGHTWEIGHT COMPACT WATERLESS GRP URINAL

MODEL  
GW6CHARA

# Gentworks

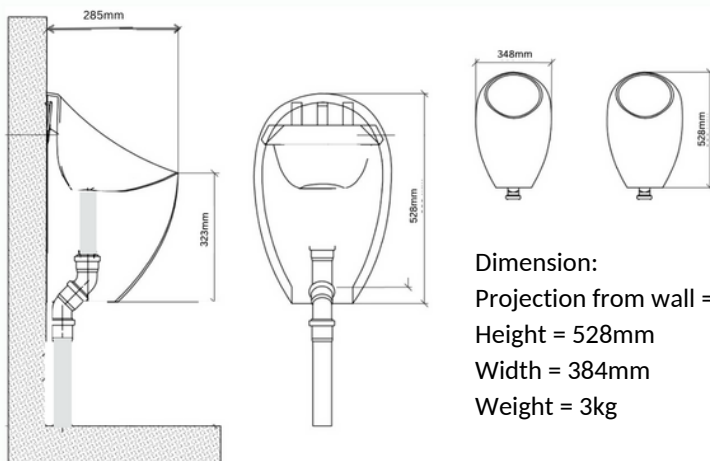


## GW6

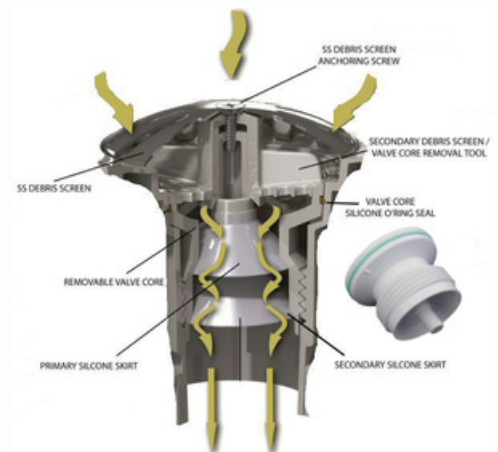
- Manufactured in damage—resistant GRP
- Lightweight and Compact
- Runs on the GW6 dual valve waterless urinal system
- Stylish fin shape design
- Suitable for concealed or exposed pipework
- Lower installation costs—no water or electrics
- Suitable for concealed or exposed pipework
- Long life replaceable waterless valve

The GW6 Chara waterless urinal bowl uses the same GW6 valve core as the popular GW6 cartridge. The urinal is UK manufactured in glass-reinforced plastic (GRP) making it much lighter than a typical ceramic bowl but much more resistant to damage. The gel coating is hand polished to a beautiful long-lasting finish.

Exceptionally lightweight design makes the Chara urinal ideal for portable welfare units, providing a simple solution for reducing cabin weight and ensuring compliance with vehicle payload or towing capacity limits. Additionally, its compact size and minimal projection offer significant space-saving advantages.



**Dimension:**  
Projection from wall = 285mm  
Height = 528mm  
Width = 384mm  
Weight = 3kg



# Gentworks

www.gentworks.co.uk | sales@gentworks.co.uk | Ph. +44(0)1844 353210

02/24

Due to ongoing product development details are subject to change without notice