



- Available in Five Lengths
- Tap Ledge for Deck Mounted Taps
- Tap Holes Drilled as Requested
- Optional Front Support Legs
- Fully Welded Construction
- Integral Wall Fixing Brackets
- Anti-splash Design
- Central 1.5" BSP Waste

Economy model wash trough suitable for high use areas and incorporates an angled front to reduce splashing when in use. A 60mm upstand to the rear allows taps to be mounted on an easy to clean surface. Front legs are available if additional support is required.

This wash trough model is finished to order in standard lengths - 1200mm, 1500mm, 1800mm, 2100mm and 2400mm. All are manufactured in the UK as one piece units from grade 304 austenitic stainless steel, 1.2mm thick, with a smooth satin polished non-reflective surface.

These wash troughs maximise the amount of available space, they are easier to keep clean and more hardwearing than conventional vanity units or wall hung wash basins.

Sample specification Text

Gentworks Economy Stainless Steel Hand Wash Trough **XXXX**(L) x 410mm (W) x 215mm (H). Complete with 75mm tap ledge, Integral wall brackets and central 1.5" BSP Waste - Product Code WMDT-B

***RED TEXT** may denote a variable

Taps are not included and are shown for illustrative purposes only

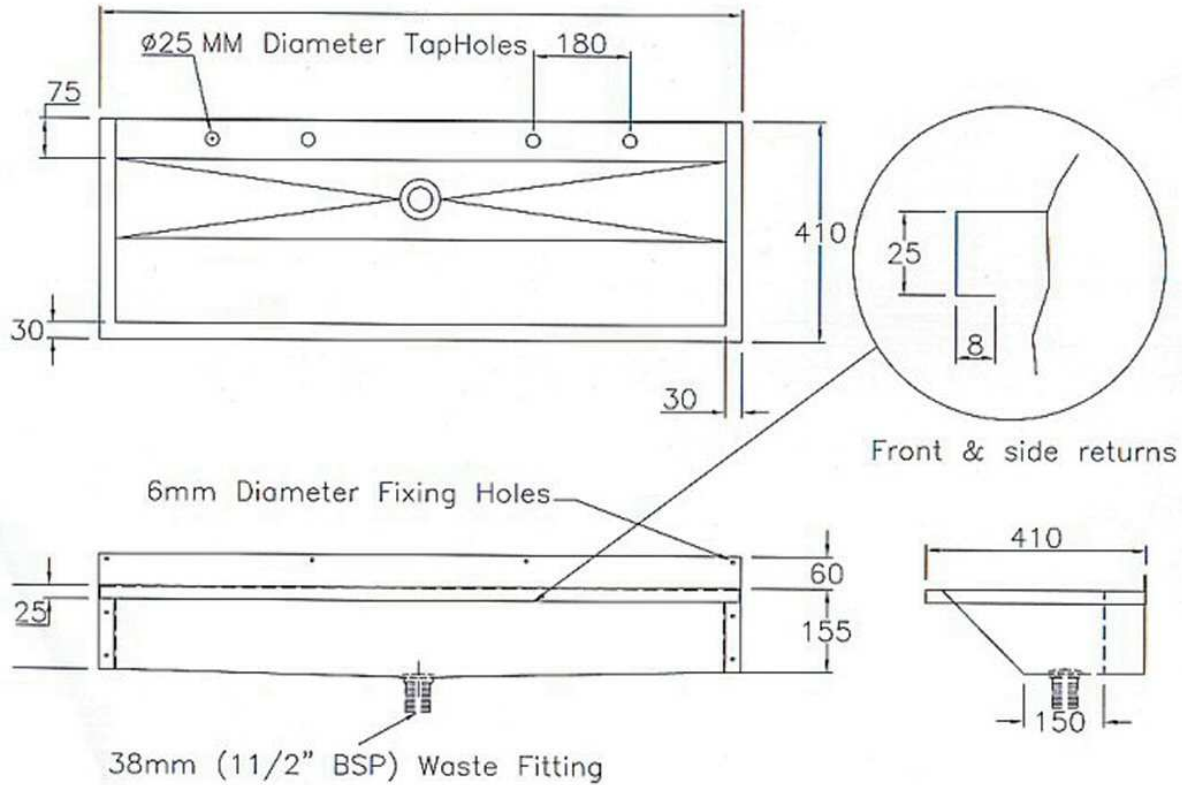
WASH TROUGH

STAINLESS STEEL — WALL MOUNTED

MODEL
WMDT-B

Gentworks

OPTIONAL LENGTHS



SUGGESTED TAPS:



TAP-C
Timed Flow Push Taps
Sold as Singles or Pairs
(22/28mm Drill Holes)



TAP-D
Sequential Mixer Tap
(35mm Drill Hole)



AQUA202
Timed Flow Push Mixer
(35mm Drill Hole)



03100-S
Deck Mounted Soap Dispenser
(25mm Drill Hole)



TAP-B
Lever Taps
Sold as Pairs only
(22/28mm Drill Holes)



SEN-1D
Auto Sensor Tap
(35mm Drill Hole)