



## GW6-15

- Reduce expenditure on water and sewerage costs
- No floods
- Runs on the GW6-15 waterless urinal system
- Improved privacy
- No water supply piping or power to install
- Waterless cartridge lasts around 6-12 months
- Designed for concealed waste pipe
- Available in white or grey granite finish

The GW6-15 Sonoran waterless uses the same valve and "snorkel" technology as the popular GW6 cartridge. The urinal is manufactured in 9mm thickness glass-reinforced plastic (GRP) making it robust and resistant to damage. The urinal has a large footprint making it ideal for replacing standard flushing urinals and should cover any damaged wall coverings or tiling left from the previous installation.

The GW6-15 Sonoran incorporates the latest version of the GW6-15 valve core with much faster drainage of approximately 12 litres per minute. This allows for more effective sluicing of the waste pipes to keep them even cleaner.

The dual valves are now manufactured in a special silicone to reduce the chance of damage from harsh cleaning chemicals, although these are still best avoided in order to maximise the life of the cartridge.

### Sample specification Text

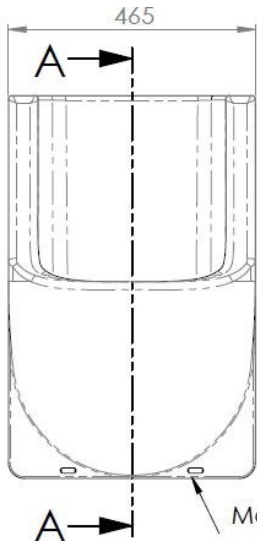
GW6-15 Sonoran Waterless Urinal in **WHITE** / **GREY GRANITE** manufactured in glass-reinforced plastic (GRP)  
720mm (H) x 465mm (W) x 275mm (D) Complete with Wall Brackets and GW6-15 waterless Cartridge.  
Product Code GW6-15-SONORAN

# WATERLESS URINAL

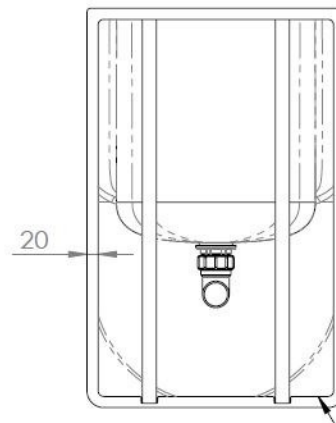
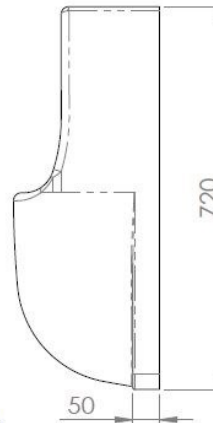
## WATERLESS GRP URINAL

GW6-15  
SONORAN

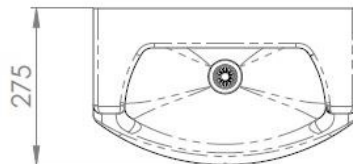
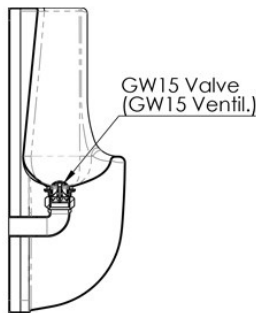
# Gentworks



Moulded GRP fixing tab.



20mm Flange around perimeter of rear face.



**NO TRAPS TO BE INSTALLED**

38MM (1½") BSP WASTE CONNECTION

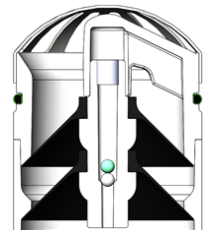
**Unique Double-Skirt  
Silicone Valve System**

**Recommended Mounting Height:** Top of front lip to finished floor - Junior 510mm, Adult 650mm  
Urinals spaced at 700mm centres. Urinal is screwed to wall with supplied hangers

### Recommended Waste Fittings (Not Supplied)

For horizontal waste pipe — McAlpine T5M or T5M-A 1½" 90° Multifit Bend x BSP coupling nut

For vertical waste pipe — McAlpine T29-LN 1½" Multifit x Female BSP Straight Coupling



### For Best Results:

The waste pipework should be clear of scale and debris (i.e. "descaled"). We recommend that the waste pipes are jetted or cleared using electrical pipe cleaning equipment, as used by drain maintenance companies. Alternatively, it may make sense to replace old waste pipes with new ones.

## Replacement Valve and Cleaner



**GW615V**

Replacement Valve Core



**BC5LX1**

Urinal Sluicing  
Bactericidal Cleaner  
Concentrate 5 litres



**NVIROCLEAN**

Spray and Walk Away  
Waterless Urinal Cleaner

# Gentworks

The Barn, Emmington, OX39 4AA | [www.gentworks.co.uk](http://www.gentworks.co.uk) | [sales@gentworks.co.uk](mailto:sales@gentworks.co.uk) | Ph. +44(0)1844 353210