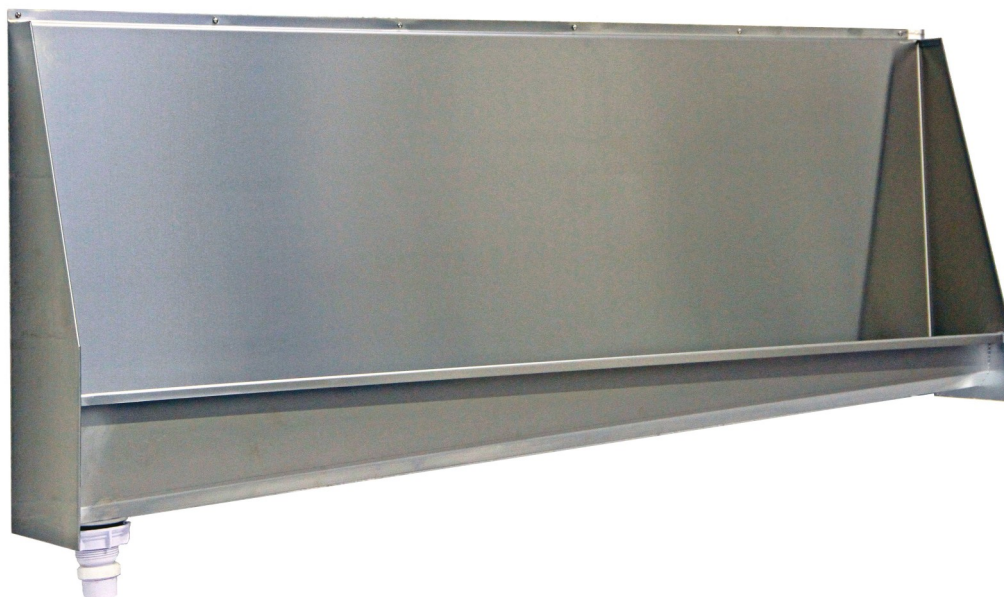


WATERLESS URINAL TROUGH

STAINLESS STEEL— WALL HUNG

MODEL
TABERNAS

Gentworks



GW6

*Image Shows Model GW6TABERNAS12
1200mm Tabernas Waterless Wall Hung Urinal Trough*

- Reduce water and maintenance costs
- Saving water reduces energy use and emissions
- Runs on the GW6 dual valve waterless urinal system
- Choice of Left or Right Waste Location
- Available in 1200mm, 1500mm and 1800mm Lengths
- Lower installation costs—no water or electrics
- No trap required, just connect to waste pipe
- Integral wall fixing brackets and stainless screws
- Long-life waterless valve lasts around 6 months
- No floods

The Tabernas is a robust waterless urinal ideal for busy commercial environments such as factories, pubs, clubs and schools. This urinal uses the popular long-life GW6 waterless waste that is tolerant of commonly used chemicals, but care should be taken when cleaning stainless steel. Only mild products should be used. The replaceable valve core typically lasts for at least 6 months, but often as long as a year. If waste pipes are prone to occasional blockages, the GW6 waste can be sluiced regularly with a diluted cleaning chemical such as Gentworks Bactericidal cleaner.

Sample specification Text

Tabernas Waterless Stainless Steel Wall Hung Urinal Trough - **1200mm/1500mm/1800mm** (L) x 270mm (W) x 580mm (H). **LEFT/RIGHT** Waste Location Supplied with GW6 Waterless Waste with replaceable valve core.

Product Code: GW6TABERNAS

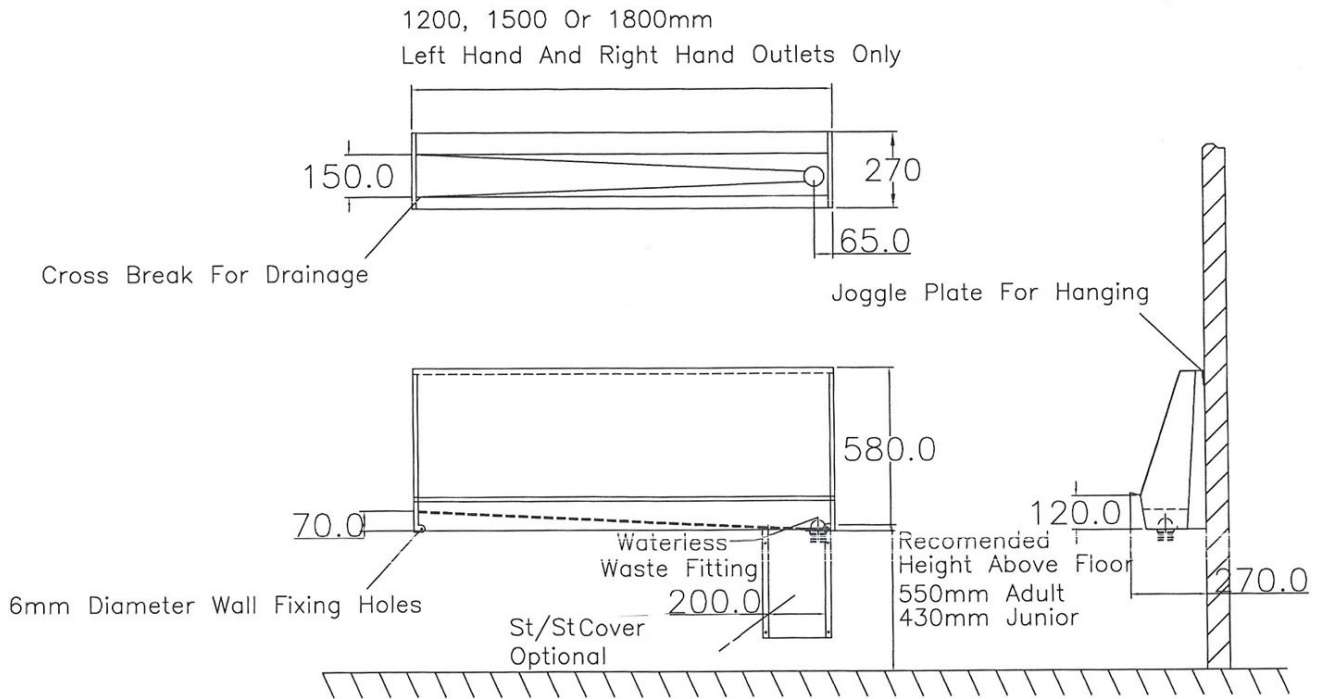
***RED TEXT** may denote a variable

WATERLESS URINAL TROUGH

STAINLESS STEEL— WALL HUNG

MODEL
TABERNAS

Gentworks

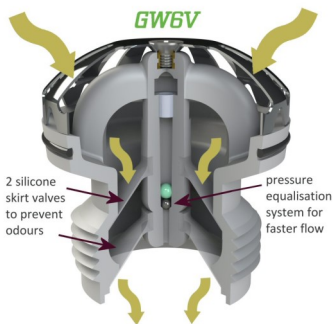


NO TRAP TO BE INSTALLED

Recommended Mounting Height: Top of front lip to finished floor - Junior 430mm, Adult 550mm

For Best Results:

The waste pipework should be clear of scale and debris (i.e. "descaled"). We recommend that the waste pipes are jetted or cleared using electrical pipe cleaning equipment, as used by drain maintenance companies. Alternatively, it may make sense to replace old waste pipes with new ones.



Patented GW6 Waterless Waste
Locks Away Drain Odours



WHTC

Optional Waste Outlet Cover
Protects Against Vandalism

REPLACEMENT VALVE AND CLEANER



GW6V
Replacement Valve Core



NVIROCLEAN
Spray and Walk Away
Waterless Urinal Cleaner



BC5LX1
Urinal Sludging
Bactericidal Cleaner
Concentrate 5 litres