

WATERLESS URINAL

CONCEALED CERAMIC WITH GW6-15

GW6-15
PATAGONIAN

Gentworks



GW6-15

-
- Reduce expenditure on water and sewerage costs
 - Saves water, thus reducing energy and emissions
 - Runs on the GW6-15 waterless urinal system
 - Stylish design Ideal for high end look washrooms
 - No water supply piping or power to install
 - Long life replaceable waterless valve
 - Tolerant of commonly used chemicals
 - For concealed piping

The GW6-15 Patagonian is a stylish waterless urinal Ideal for busy commercial environments such as offices, restaurants, hotels, clubs and schools. This urinal uses the long life GW6-15 waterless system that is tolerant of commonly used chemicals, including mild acid based cleaning products, as well as water.

The replaceable valve core within the waterless waste typically lasts for at least 6 months, often as long as a year.

If waste pipes are prone to occasional blockages, the urinal can be sluiced regularly with a diluted biological cleaner such as Gentworks Bactericidal cleaner.

Waste pipe connection must horizontal (e.g. through panel behind)

Sample specification Text

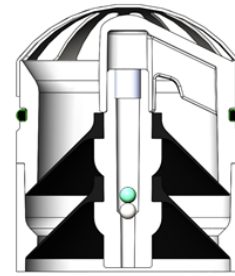
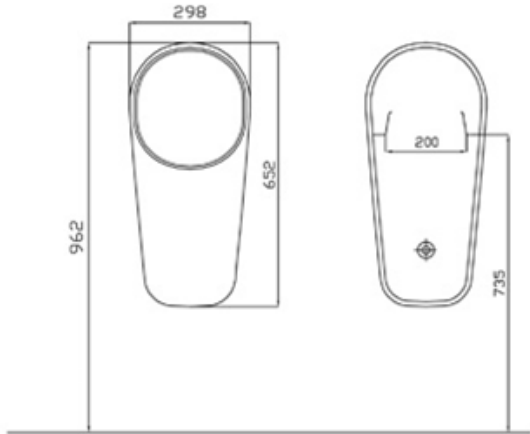
Patagonian Concealed Waterless Urinal in Vitreous China with GW6-15 waterless waste. 565mm (H) x 652mm (W) x 298mm (D) X 276mm. Complete with Wall Brackets and GW6-15 waterless waste. Product Code: GW6-PATAGONIAN

WATERLESS URINAL

CONCEALED CERAMIC WITH GW6-15

GW6-15
PATAGONIAN

Gentworks



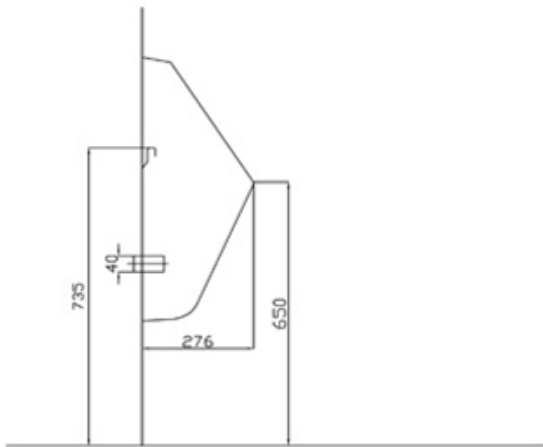
**Unique Double-Skirt
Silicone Valve System**



Rear View

NO TRAPS TO BE INSTALLED

38MM (1½") BSP WASTE CONNECTION



Recommended Waste Fittings (Not Supplied)

McAlpine T5M or T5M-A 1½" 90° Multifit Bend x BSP coupling nut

Recommended Mounting Height: Top of front lip to finished floor - Junior 510mm, Adult 650mm

Urinals spaced at 700mm centres. Urinal is screwed to wall with supplied hangers

For Best Results:

The waste pipework should be clear of scale and debris (i.e. "descaled"). We recommend that the waste pipes are jetted or cleared using electrical pipe cleaning equipment, as used by drain maintenance companies. Alternatively, it may make sense to replace old waste pipes with new ones.

REPLACEMENT VALVES AND CLEANER



BC5LX1
Urinal Sluicing
Bactericidal Cleaner
Concentrate 5 litres



GW615V
Replacement Valve Core



NVIROCLEAN
Spray and Walk Away
Waterless Urinal Cleaner